



VBV-650

Budget Version



VBV-650M Features

- 1 camera input/1AV input
 - NO audio on camera input
- No additional control box
- OSD menu in different Languages
- Auto switching (PAL/NTSC)



Few seconds delay on reverse gear select (2-4secs)



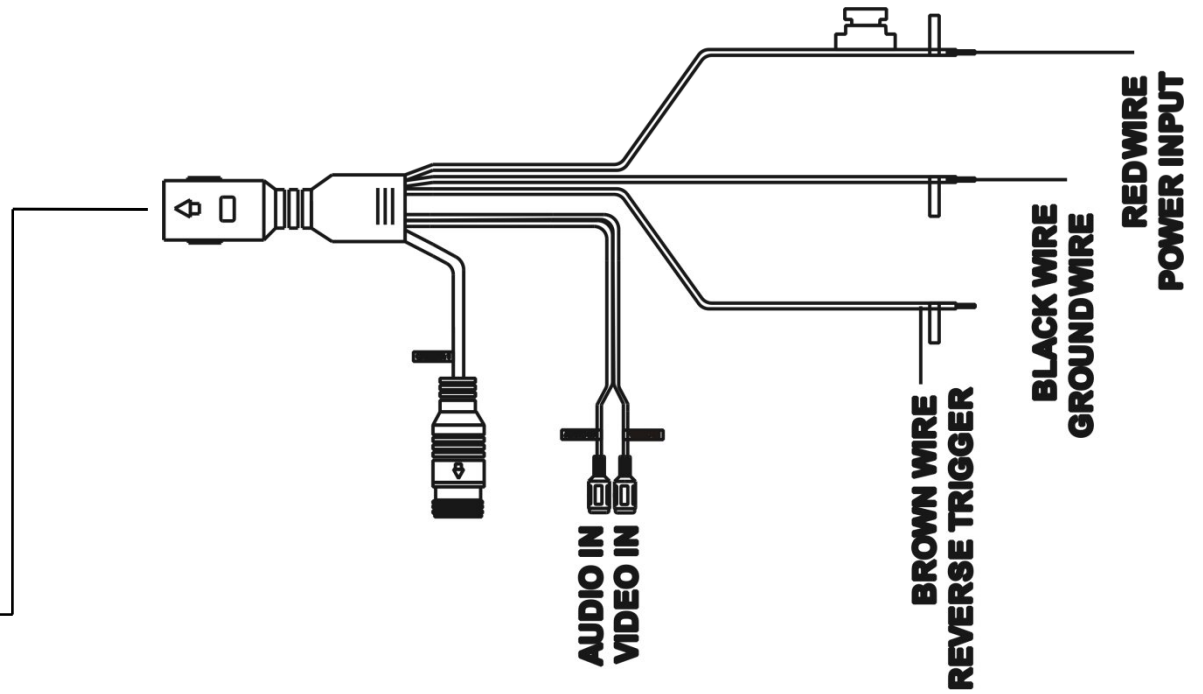
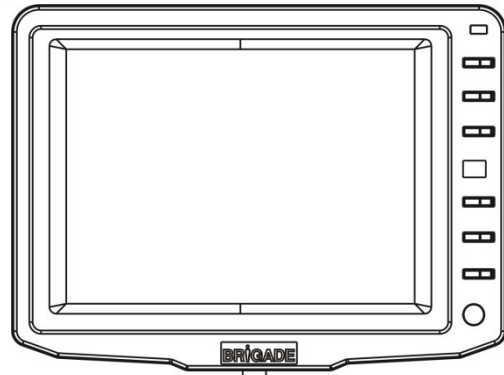
VBV-650M Components

- 1 x Monitor
- 1 x 2M Main Power cable
 - Connects to Camera and AV
- 1 x Monitor Bracket with 3M PAD





VBV-650M Connection



VBV-650M Specification

- Operating Voltage: 12V~24 Vdc
- TV System: PAL or NTSC
- Panel Size: 5.0"
- Resolution: 320(H) x (RGB) (V) x 234 (W)
- Contrast Ratio: 350:1
- Brightness: 300 cd/m²
- Viewing Angle: 15(T), 35(B), 50(L), 50(R)
- Operating Temperature: -10° to +60°C
- Storage Temperature: -20° to +70°C
- Vibration Rating: 5 G





VBV-600C

Budget Version



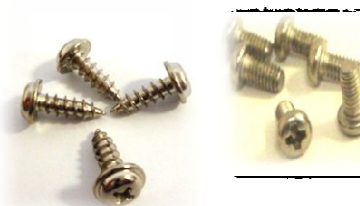
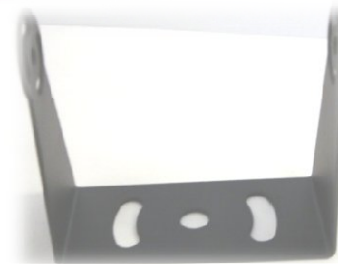
VBV-600C Features

- 1/4" Sharp CCD and Sharp DSP
- Auto White Balance
- Back Light Compensation
- 10 IR-LED at 5m
- NO microphone
- Only Mirror Image view
- Only PAL format

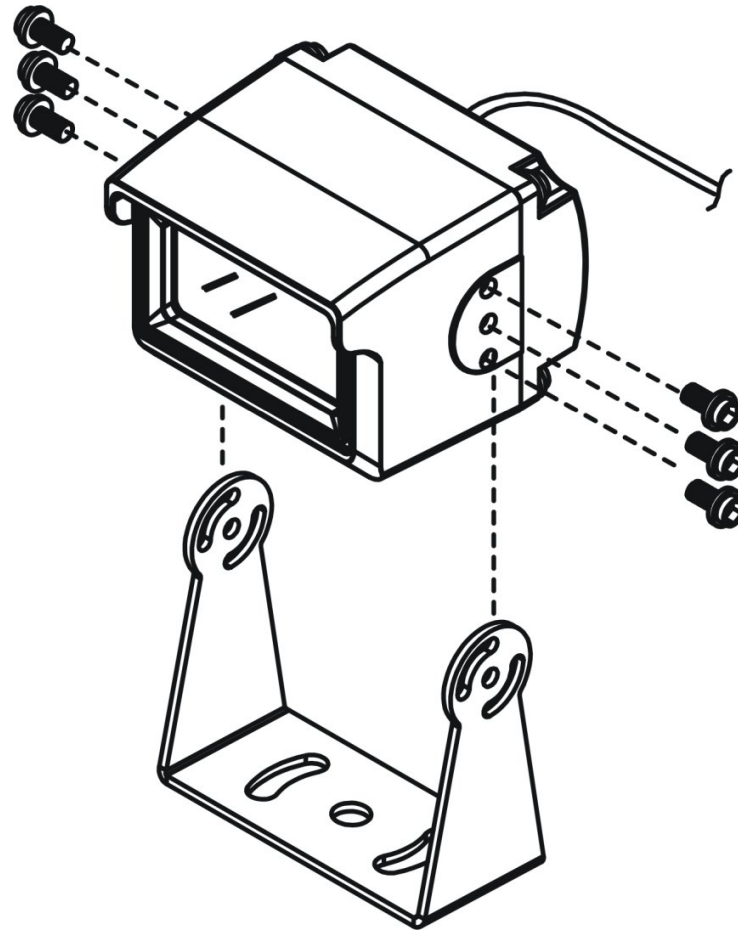


VBV-600C Components

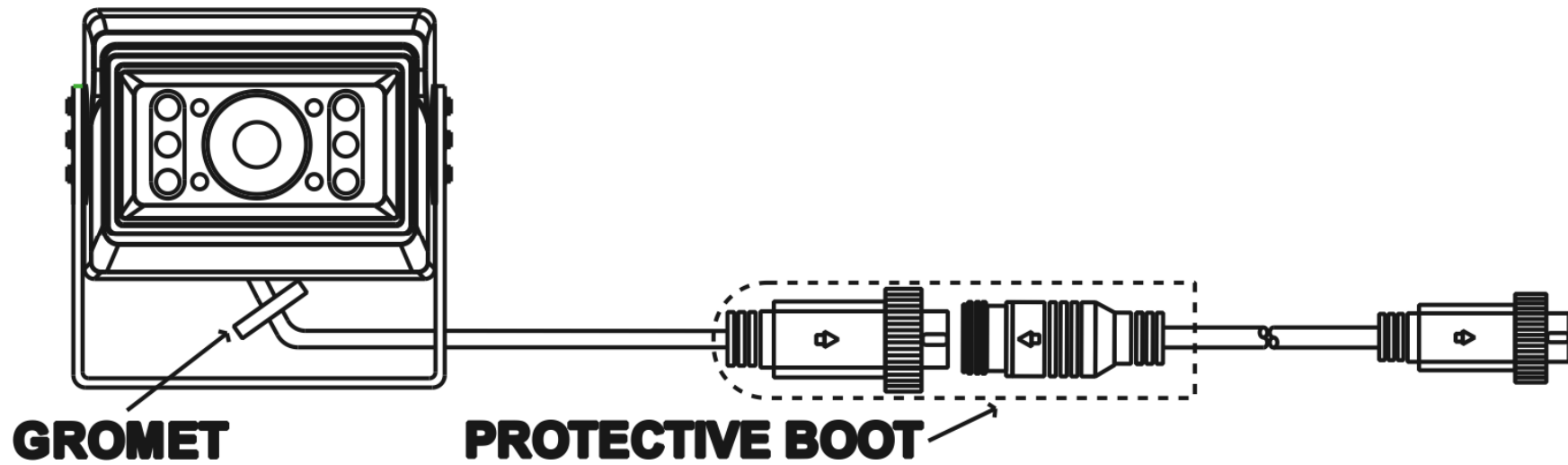
- 1 x Camera
- 12 x Fitting screws
 - 4pcs of mounting screw for camera bracket to the body of the vehicle
 - 6pcs of mounting screw for the camera to the bracket



VBV-600C Installation



VBV-600C Connection



VBV-600C Specification

- Operating Voltage: 10V~14 Vdc
- Imaging Devices: CCD - 1/4" Sharp/DSP – Sharp
- TV System: PAL
- Picture Elements: 512 (H) x 582 (V)
- Visual Resolution: 420 TV Lines
- Required Illumination: 0.02 Lux
- Illumination Distance: 5 Meters
- Viewing Angle: 96° (H), 72° (V), 120° (D)
- Camera/Connector: IP67
- Operating Temperature: -10° to +70°C
- Storage Temperature: -20° to +80°C
- Vibration Rating: 10 G



VBV-650-000 Application

- Recreational Vehicles
- Waste Management
- Warehousing & Distribution
- Passenger Carrying

